

DIN-Rail Adapters



Keystone DIN-Rail Adapter, 1-Port

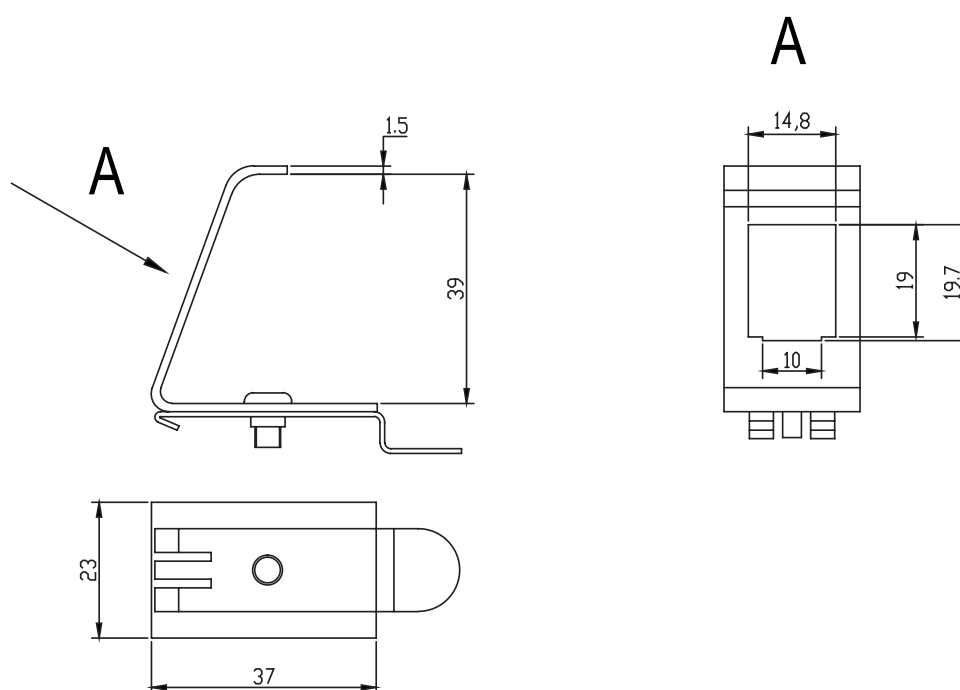
Technical Features

For carrying one RJ45 keystone module

Solid metal bracket

1.5mm stainless steel

Technical Drawings



Package Contents

Keystone DIN-Rail Adapter, 1-Port x1

Packaging Informations

Packing Dimension	100 x 125 x 25mm
Packing Weight	0.03kg
Carton Dimension	325 x 325 x 260mm
Carton Q'ty	300pcs
Carton Weight	8.7kg

