

Industrial Assembly Kit for Outdoor Cable

■ PART NO: CAT6U/STP-WP-P



Feature

Rigid Industrial Ethernet™ connectivity series

This waterproof solution supports multiple applications like military networking, pharmaceutical laboratories or some units that are supposed to work under harsh environments where exposure to liquid or dust would likely occur. To ensure the reliability of connection, it requires a robust physical design on each mating part for secure locking engagement. IP 67 compliant, complete Cat.5e/Cat.6 cabling solution provides the bulkhead coupler for feed-through, keystone jack, patch cord, assembly kit, stainless faceplate and industrial box – everything you need in a harsh cabling environment.

Rigid Industrial Ethernet™ connectivity behind, the peace of mind.



Physical Specification

Body: Nylon PA-66 high-impact UL94V-0 thermoplastic, 25% Glass Fiber filled

Compression Nut: Nylon PA-66 high-impact UL94V-0 thermoplastic, 25% Glass Fiber filled

Back Gasket: Rubber

Operating Temperature: -40~68°C

Operating Humidity: 10%~90%RH

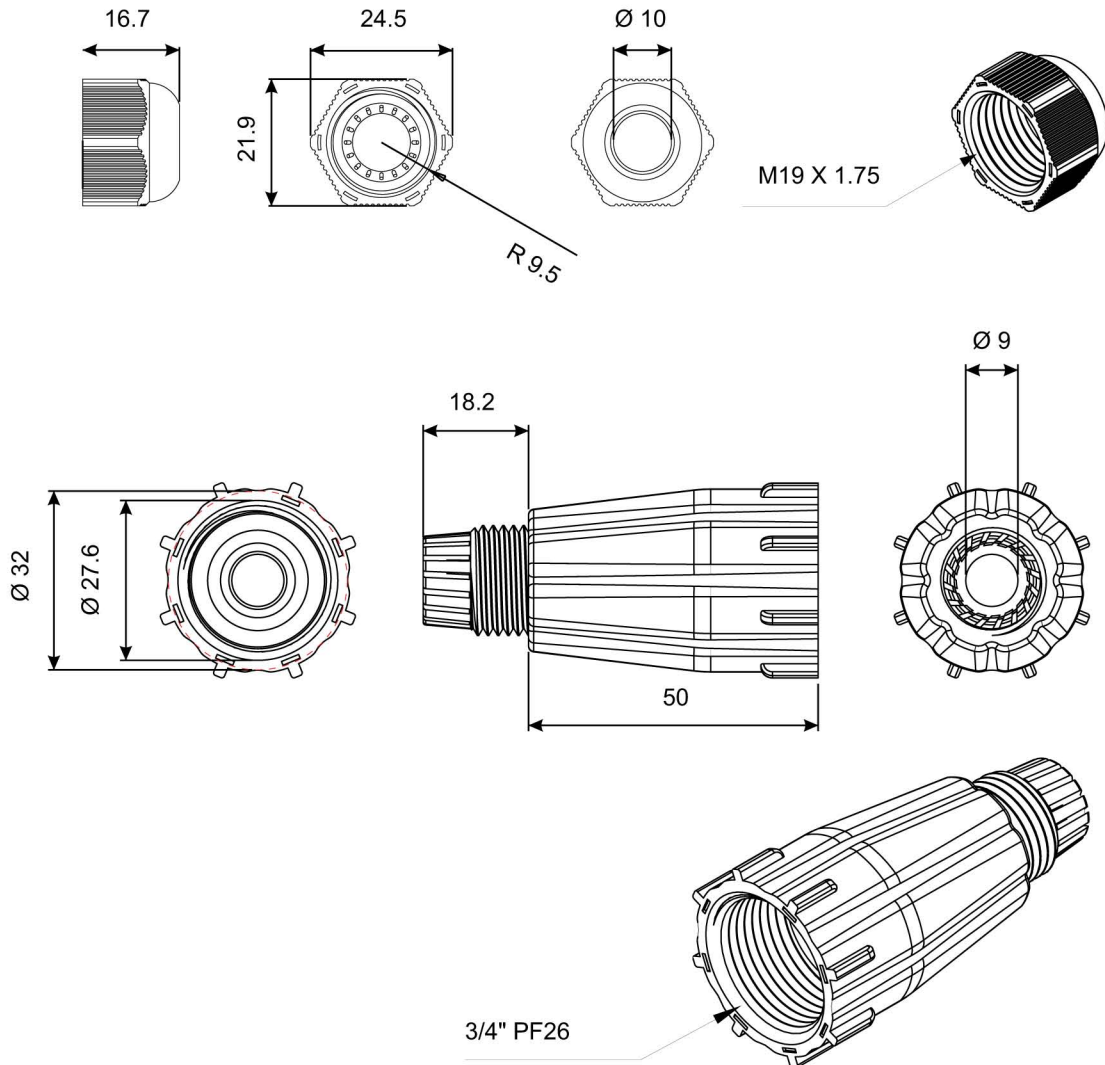
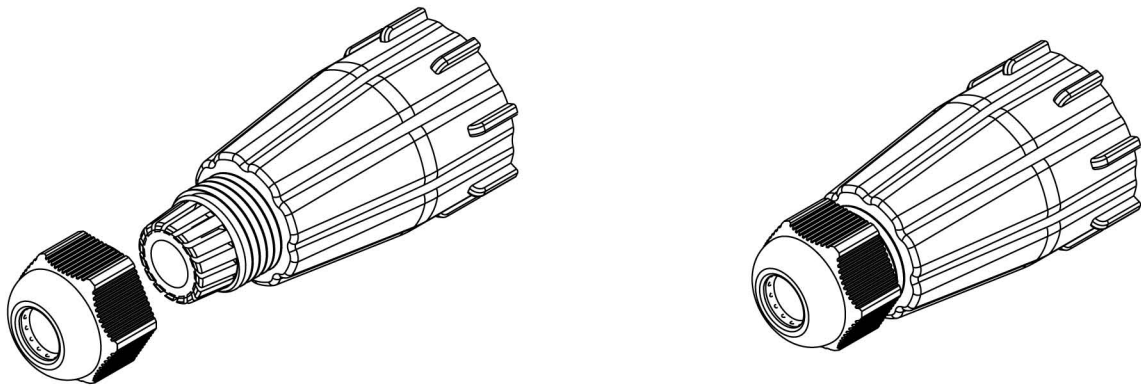
Storage Temperature : -40°C to 68°C

Environment Rating

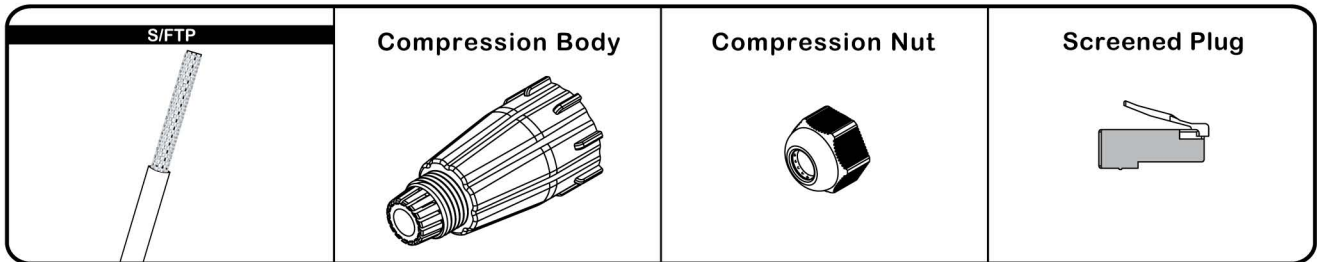
IP67 & NEMA 6

Mechanical Drawing

(Unit:mm)

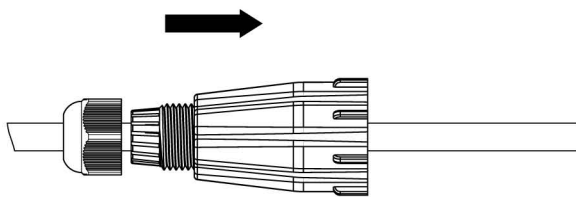


Installation Manual



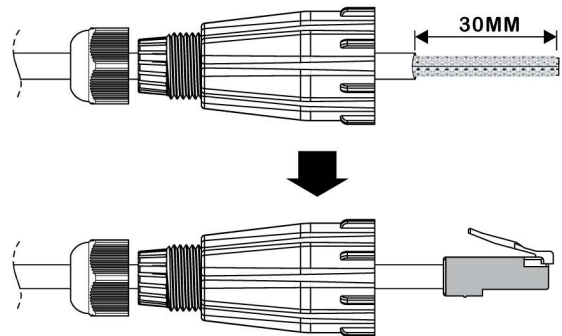
1

Pull the screened cable through the assembly kit.



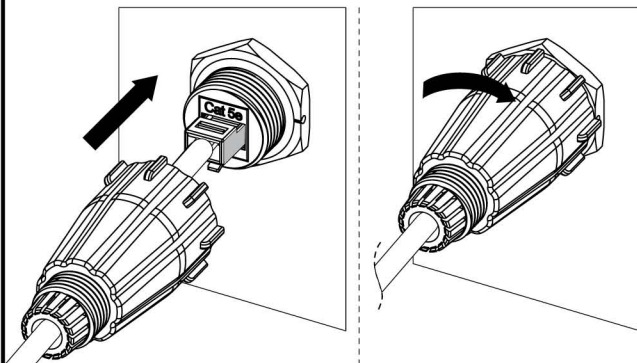
2

Strip the cable jacket around 30 mm. Spread each pair and crimp the modular plug.



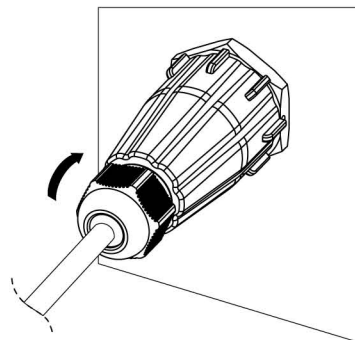
3

Mate the modular jack with socket, and then screw tight the body. The mating connection is waterproof.



4

Screw tight the compression nut. Both ends are sealed.



Environment Rating Table

0	Non of protection.	0	Non of protection.
1	Prevented from ingress by foreign object \geq 50.0mm \varnothing .	1	Prevented from vertical water dripping.
2	Prevented from ingress by large foreign object \geq 12.5mm \varnothing .	2	Prevented from vertical water dripping. (Up to 15° angle)
3	Prevented from ingress by small foreign object \geq 2.5mm \varnothing .	3	Prevented from water spray. (Up to 60° angle)
4	Prevented from ingress by tiny foreign object \geq 1mm \varnothing .	4	Prevented from splashed water from all direction.
5	Prevented from most dust, and any ingress shouldn't interfere normal use and safety.	5	Prevented from water flushing from all direction.
6	Full prevented from foreign contact and dust ingress.	6	Prevented from temporary powerful water flushing from all direction.
		7	Prevented from temporary immersion for 30 min. in 1-meter depth of water.
		8	Prevented from continuous immersion for water-tight.

IEC	IP10	IP11	IP54	IP14	IP54	IP56	IP52	IP67	IP52	IP54
NEMA	1	2	3	3	3S	4 & 4X	5	6&6P	12 & 12K	13