

Industrial STP C5e Coupler



Rigid Industrial Ethernet™ connectivity series

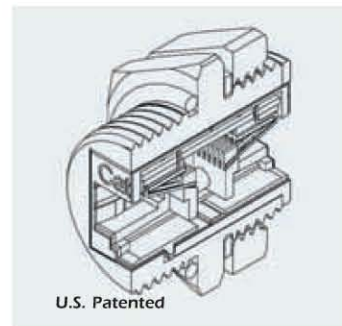


Features

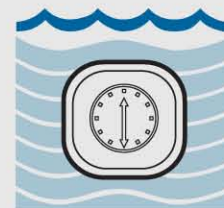


Simple joint of PCB & Contacts
No use of lead!

TUV RoHS Compliance



IP 67 compliant. Prevented from temporary immersion for 30 min. in 1-meter depth of water.



Complete set of IP67 Cat.5e/Cat.6 keystone jack, patch cords and assembly kits is all available right now!



Rigid Industrial Ethernet™ connectivity behind, the peace of mind.

Application

Cat.5e channel compliant
Features press-fit technology, purely RoHS compliant
Fully shielded design, effective protection from magnetic interference
Bulkhead application, just patch the to complete the waterproof

Physical Specification

Main Body : PBT UL94V-0 thermoplastic, 30% Glass Fiber filled
Cap : PBT UL94V-0 thermoplastic, 30% Glass Fiber filled
Lock Nut : Nylon PA-66 UL94V-0 thermoplastic
Back Gasket: Rubber
Coupler Housing : ABS resin high-impact UL94V-0 thermoplastic
Shielded Case : Copper C2680, t=0.25mm, 30u" Nickel plated
Spring wire : Phosphor Bronze temper wire, 50u" gold over 100u" nickel undercoat
Mating: 750 mating cycles with FCC compliant RJ-45 plug

Electrical Specification

Insulation resistance: 500M Ω
Dielectric withstanding voltage: 1000V AC
DC current rating: 1.5Amps
DC resistance:0.1 Ω
Contact resistance: 20m Ω

Standard Verification

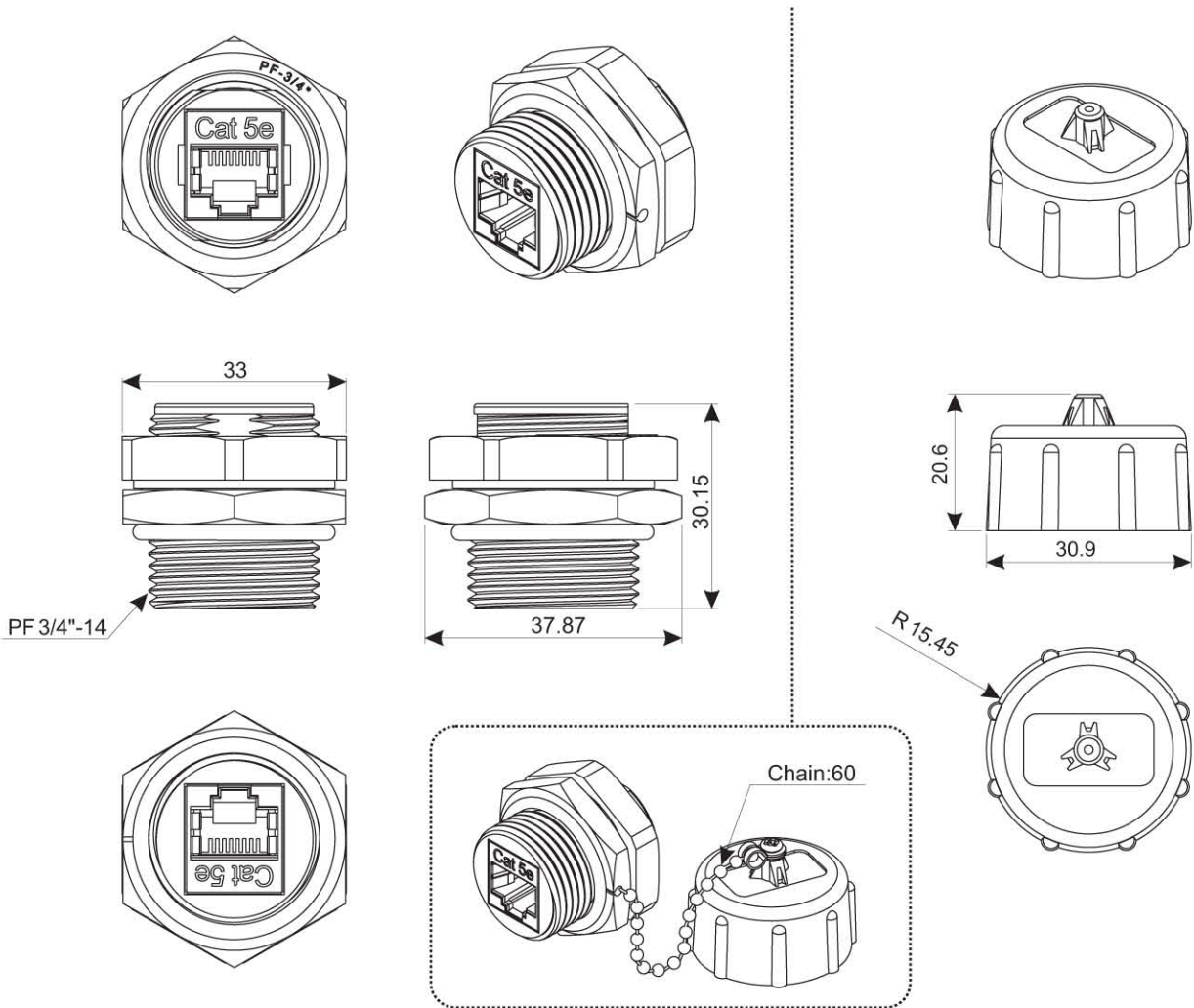
ANSI/TIA-568-B.2
UL 1863
FCC part 68.5, subpart F
ISO/IEC 60603-7
ISO/IEC 11801 Class D
EN50173-3

Environment Rating

IEC 60529 : IP67 & NEMA 6

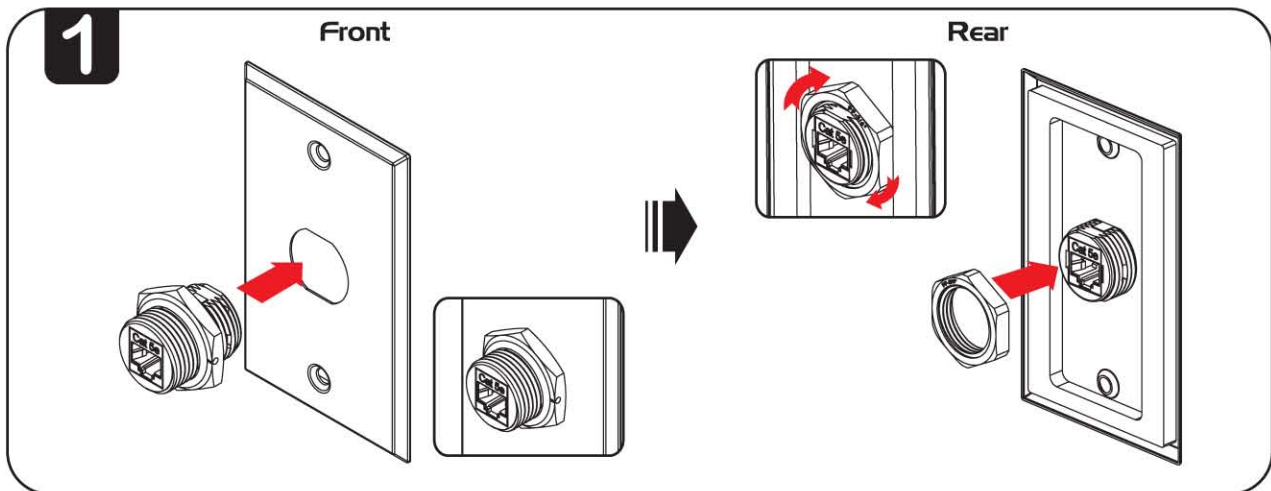
Mechanical Drawing

(Unit:mm)

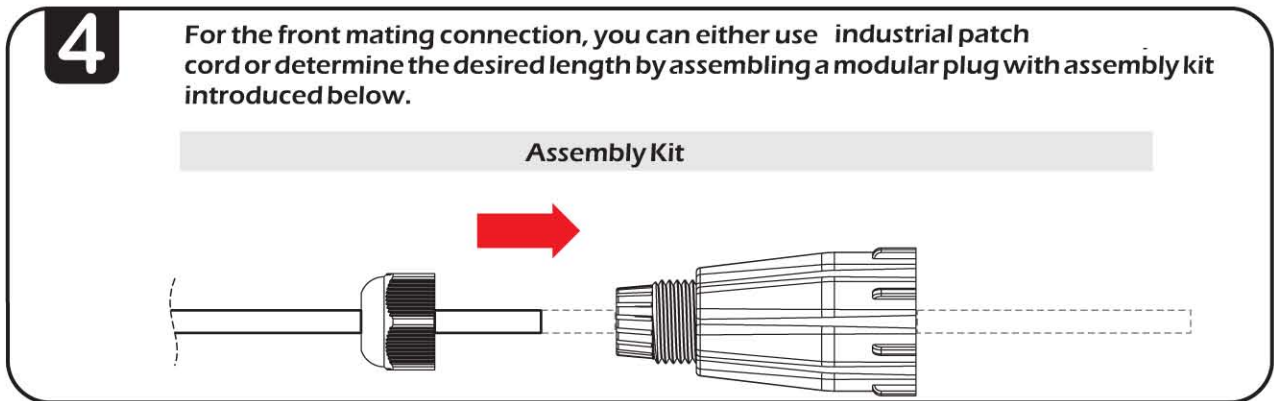
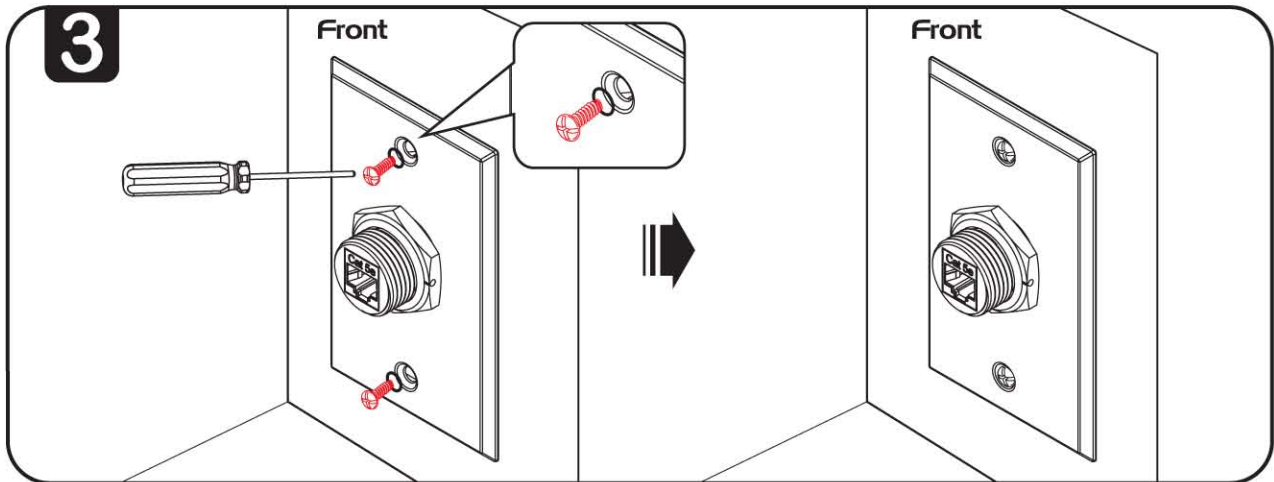
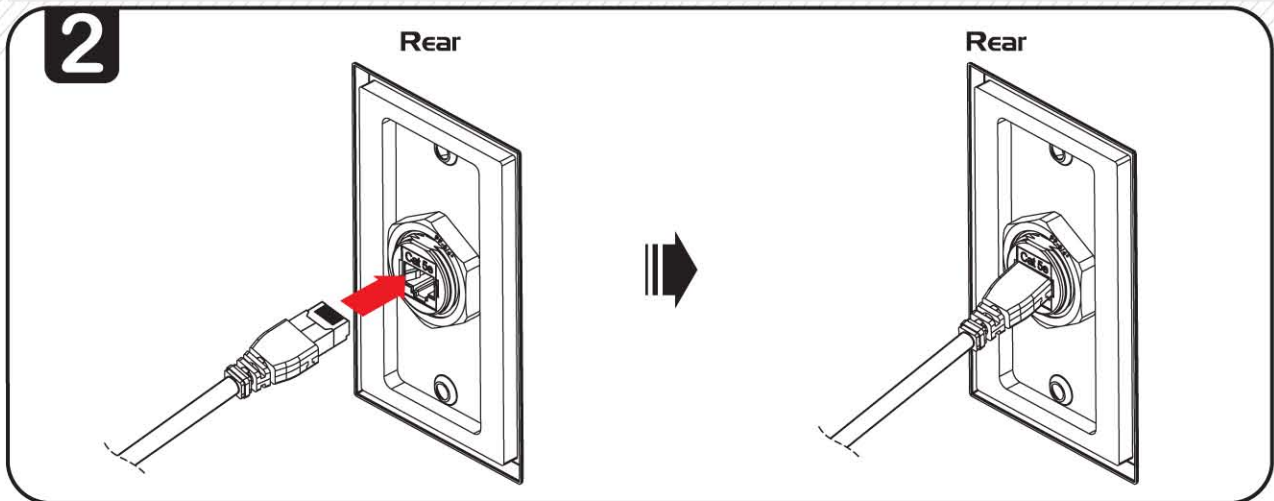


Installation Manual

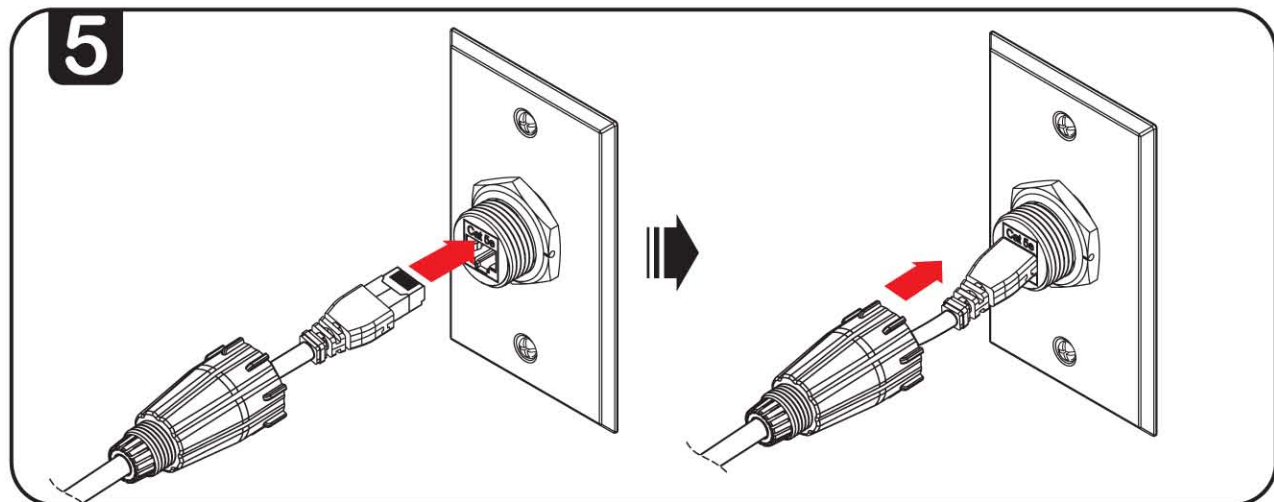
When being installed in an Industrial Stainless Faceplate

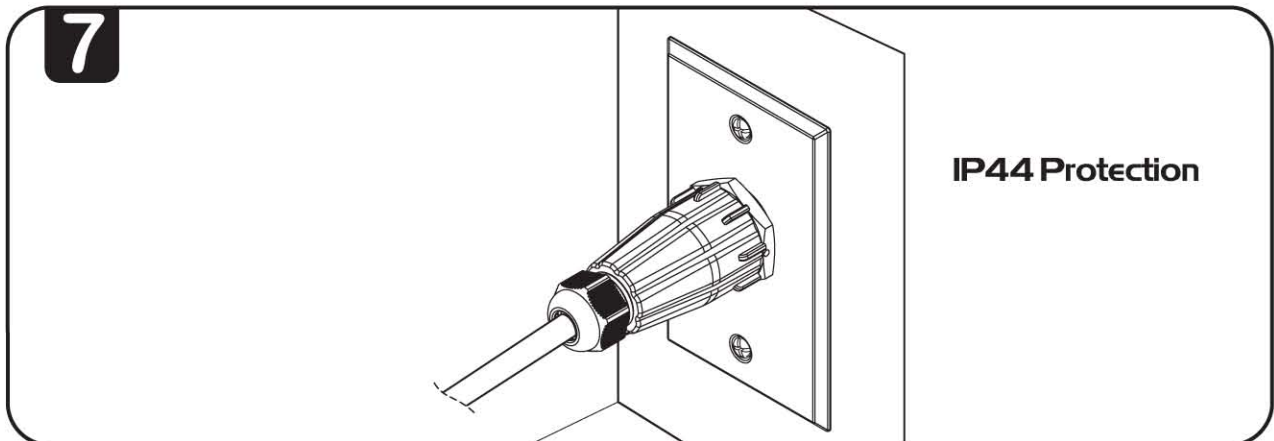
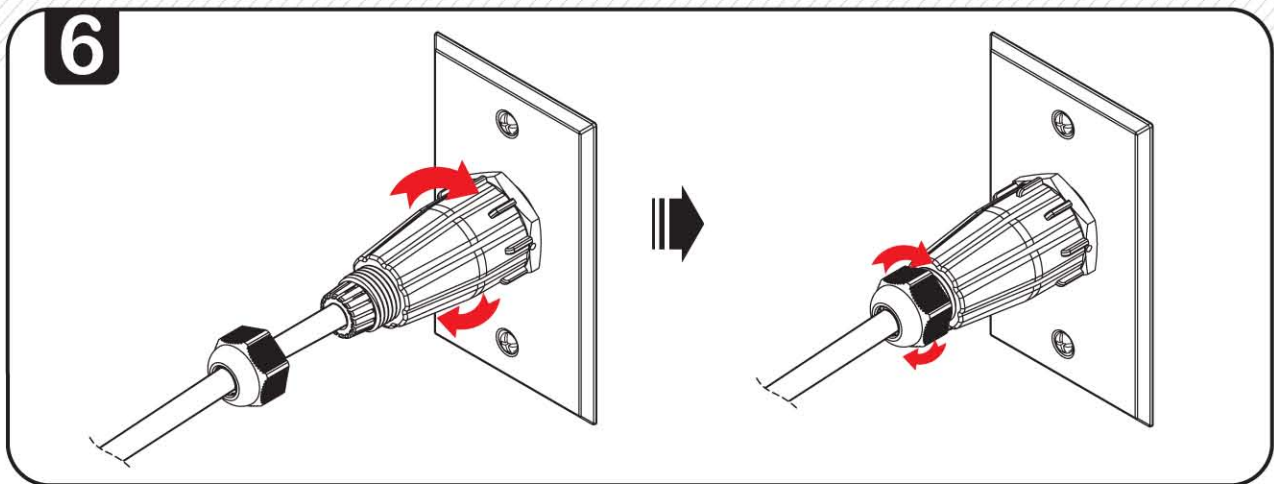


See appendix (the termination instruction of screened modular plug)

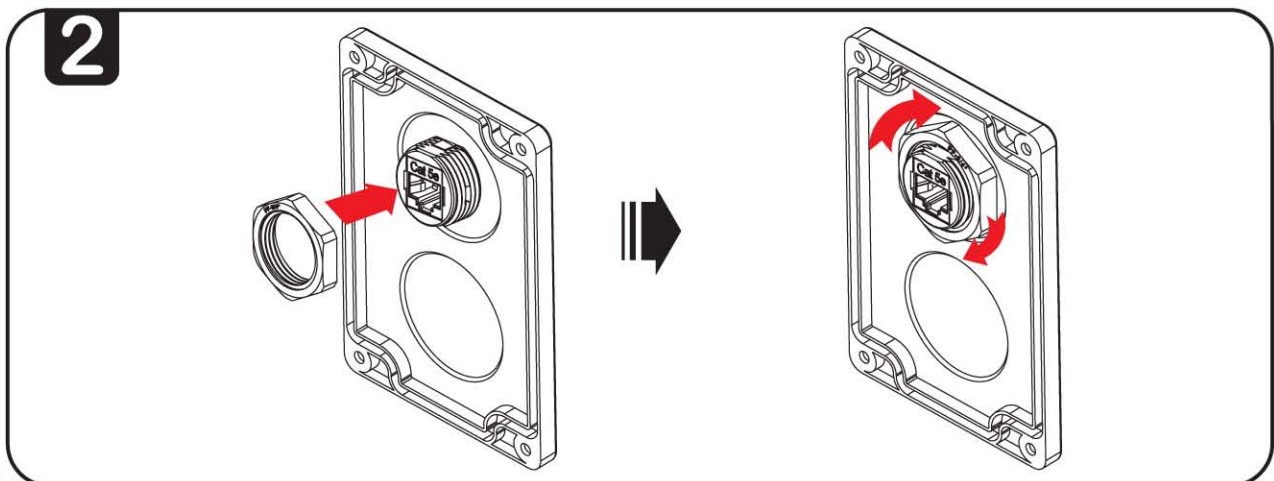
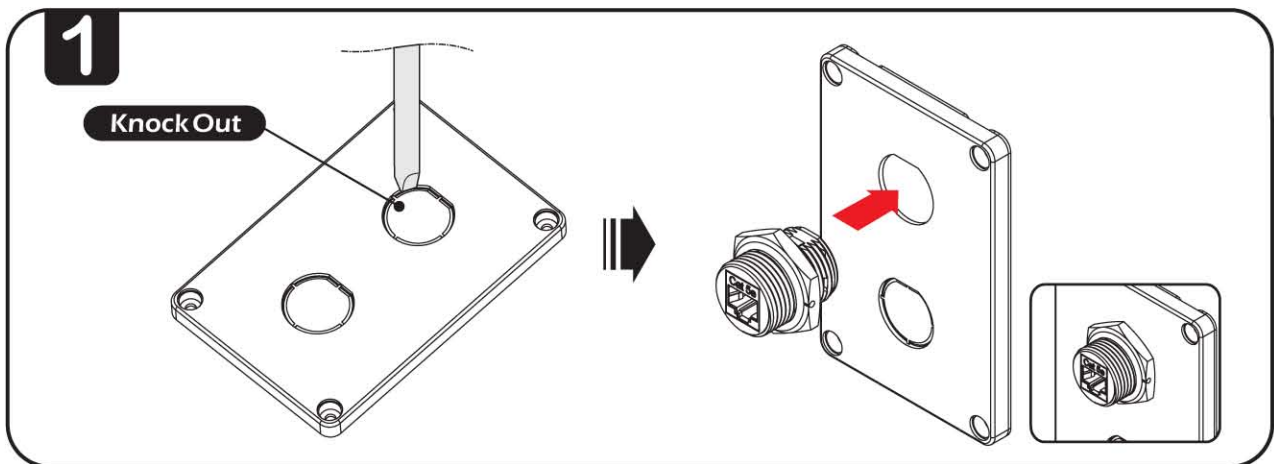


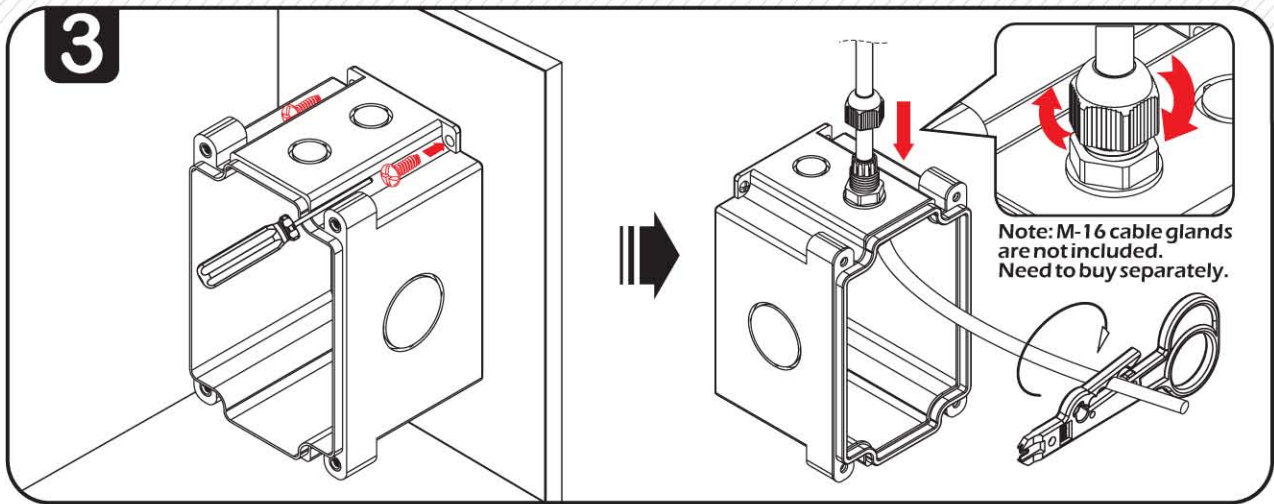
See appendix (the termination instruction of screened modular plug)



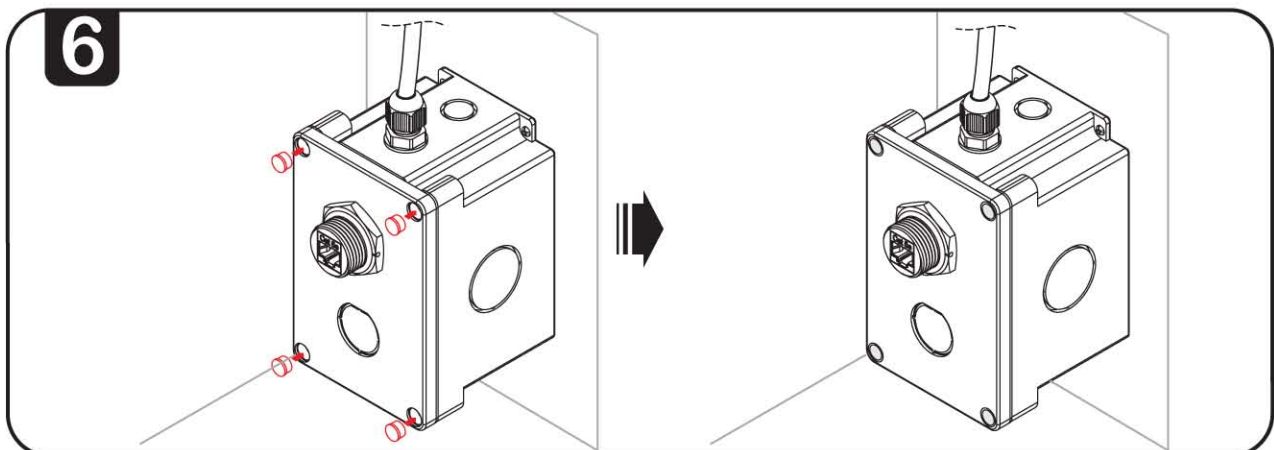
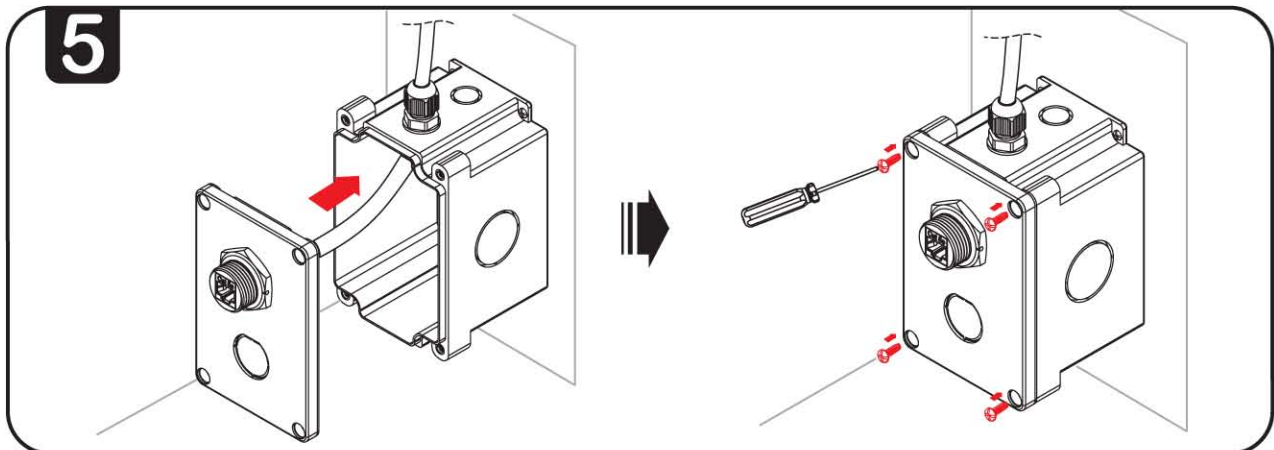
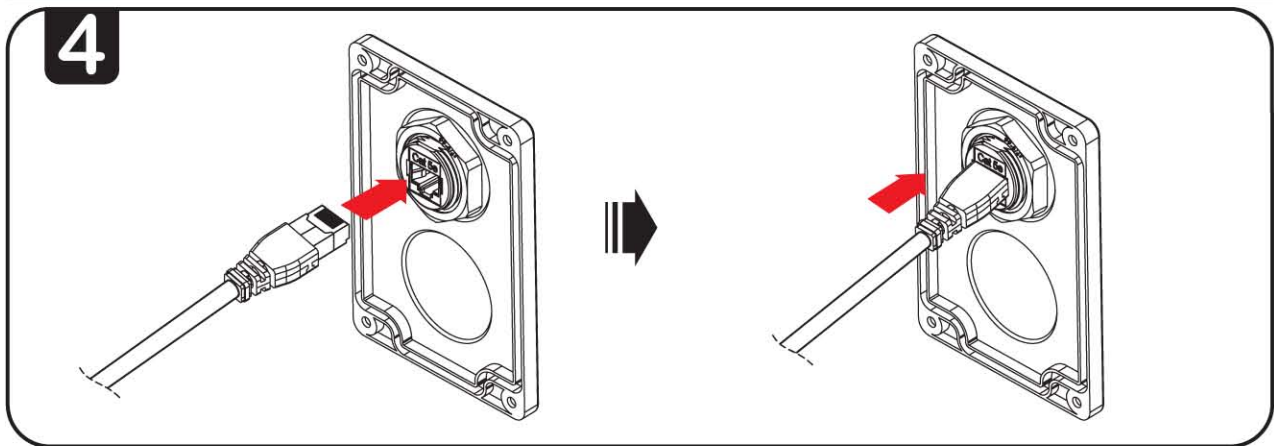


When being installed in an Industrial Surface Mount Box



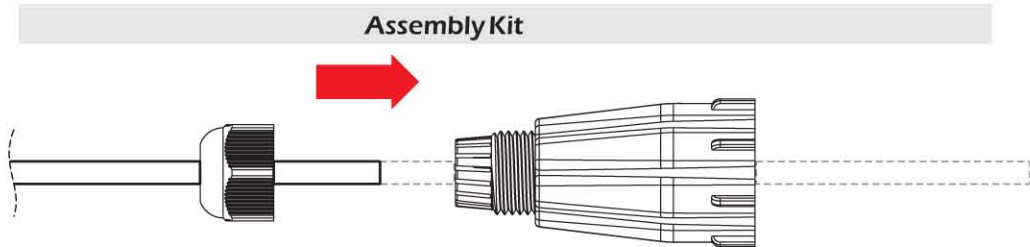


See appendix (the termination instruction of screened modular plug)



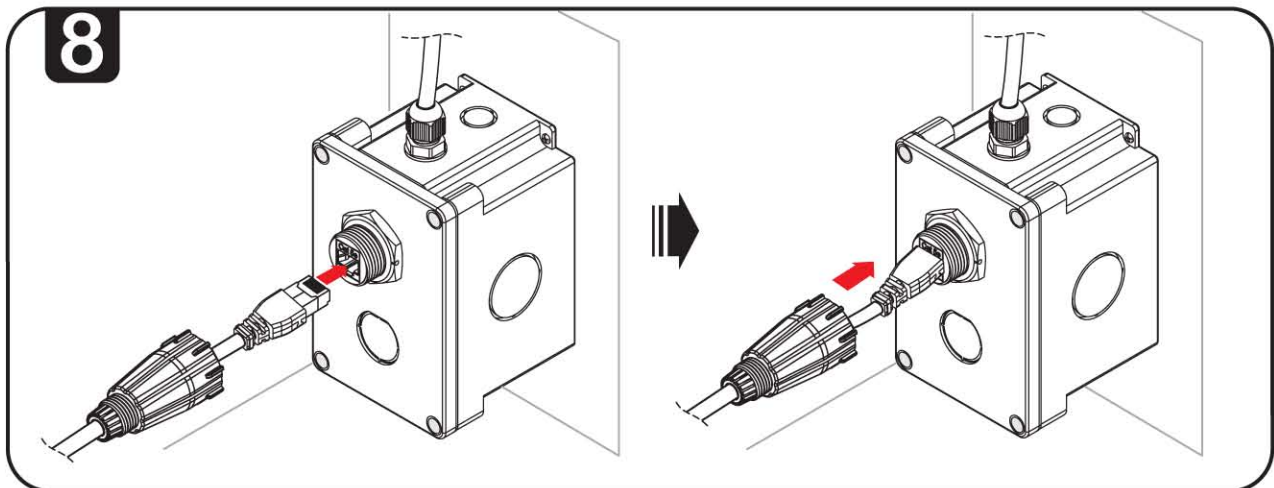
7

For the front mating connection, you can either use industrial patch cord or determine the desired length by assembling a modular plug with assembly kit introduced below.

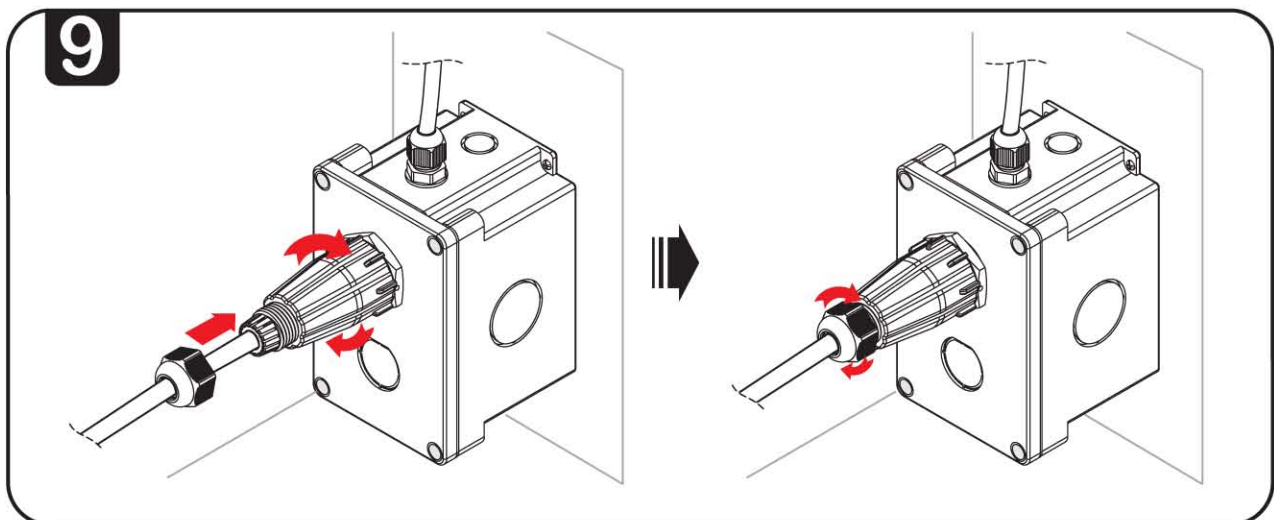


See appendix (the termination instruction of screened modular plug)

8



9



Environment Rating Table

0		Non of protection.	0		Non of protection.
1		Prevented from ingress by foreign object $\geq 50.0\text{mm } \varnothing$.	1		Prevented from vertical water dripping.
2		Prevented from ingress by large foreign object $\geq 12.5\text{mm } \varnothing$.	2		Prevented from vertical water dripping. (Up to 15° angle)
3		Prevented from ingress by small foreign object $\geq 2.5\text{mm } \varnothing$.	3		Prevented from water spray. (Up to 60° angle)
4		Prevented from ingress by tiny foreign object $\geq 1\text{mm } \varnothing$.	4		Prevented from splashed water from all direction.
5		Prevented from most dust, and any ingress shouldn't interfere normal use and safety.	5		Prevented from water flushing from all direction.
6		Fully prevented from foreign contact and dust ingress.	6		Prevented from temporary powerful water flushing from all direction.
			7		Prevented from temporary immersion for 30 min. in 1-meter depth of water.
			8		Prevented from continuous immersion for water-tight.

IEC	IP10	IP11	IP54	IP14	IP54	IP56	IP52	IP67	IP52	IP54
NEMA	1	2	3	3	3S	4 & 4X	5	6&6P	12 & 12K	13